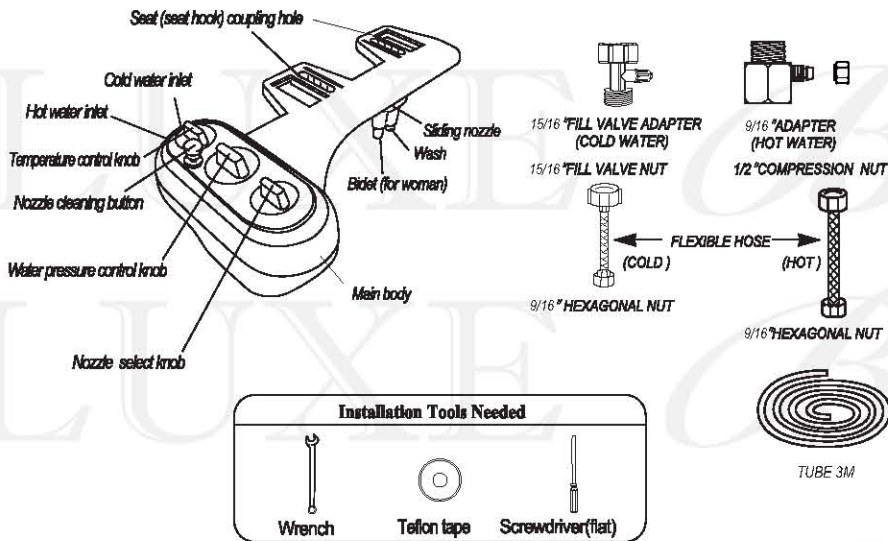


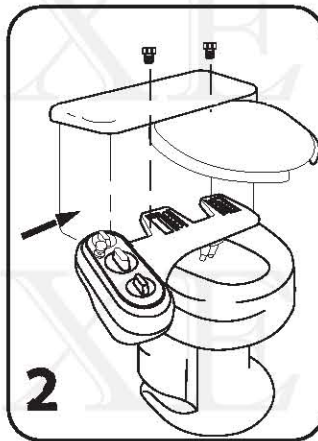
LUXE Bidet® MB320™

Assembly Instruction

NAMES AND FUNCTIONS OF PARTS



1 Remove the seat by unscrewing the seat.



2 Place the bidet on the toilet. Align the seat coupling holes.



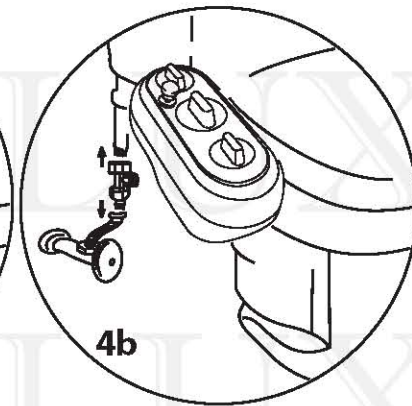
3 Screw the seat back on to the bidet and the toilet.

Connecting Cold Water Supply

4



4a

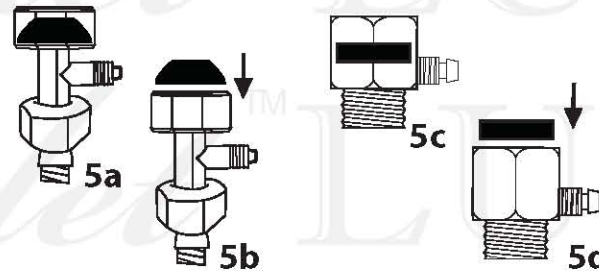


4b

4b: Shut off the water supply. Disconnect the water connection from the tank.
4b: Connect the plastic T-adapter to the water supply as shown in figure 4b

*top of the T-adapter should connect with the water tanks

5



5a

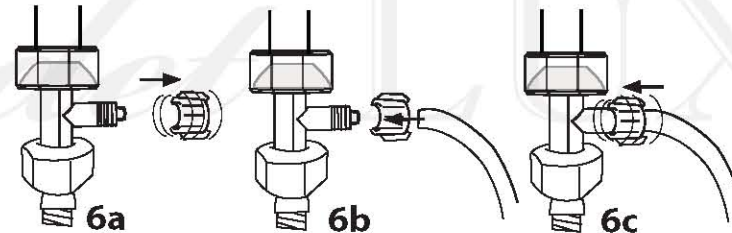
5b

5c

5d

5a / 5c: Please make sure that there is a black rubber washer inserted in top of both T-adapter.
5b / 5d: If it is not already there, please insert it as shown in figure 5b / 5d

6



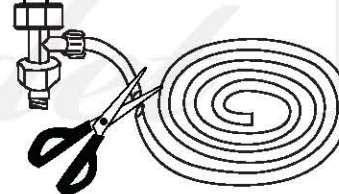
6a

6b

6c

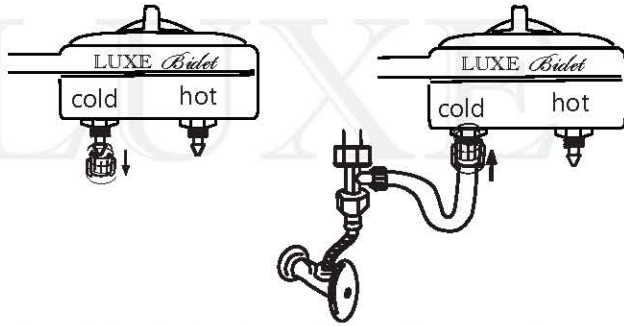
6a: Remove the wing nut.
6b: Put plastic tube through wing nut.
6c: Connect plastic tube to tank. Tighten wing nut back on to the T-adapter.

7



Cut off flexible tube according to bathroom dimensions. One part will be connected to the cold water, other will be used for hot water connection.

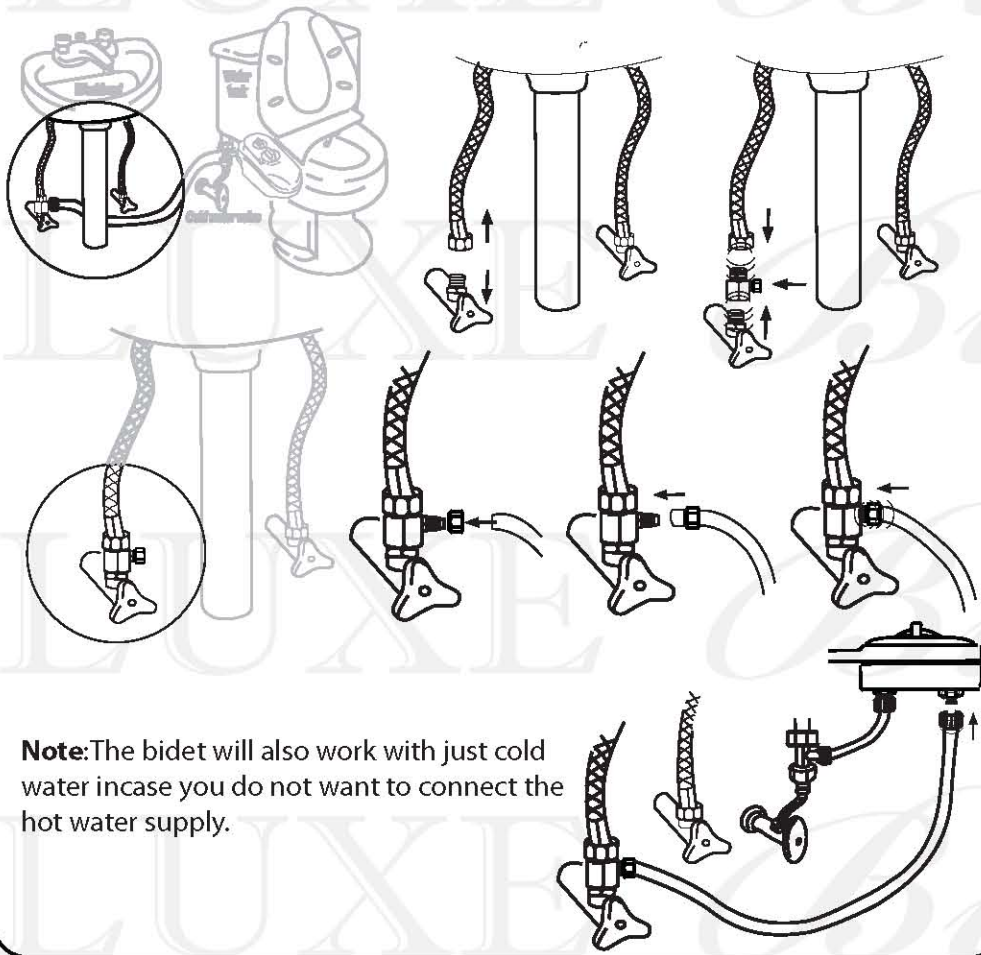
8



Connect the flexible tube to the cold water inlet on the bidet, tighten the wing nut on to it.

9

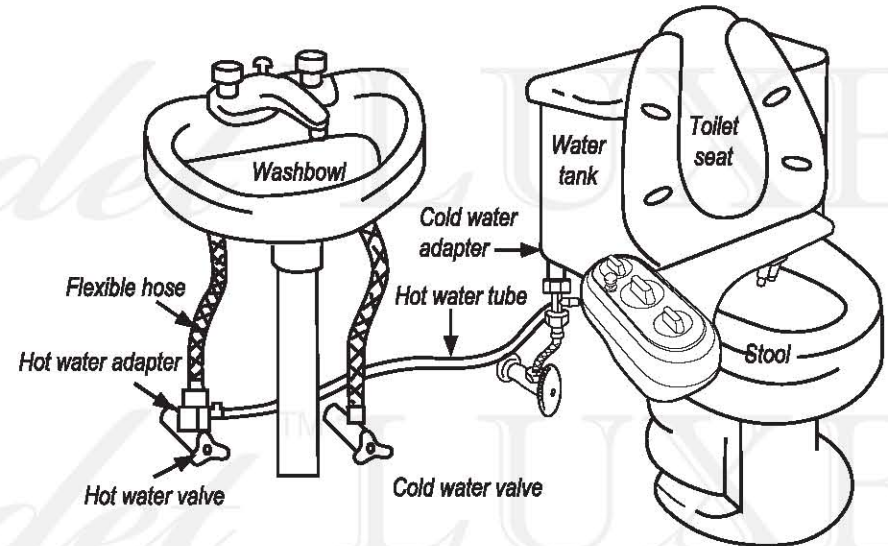
Connecting Hot Water



Note: The bidet will also work with just cold water in case you do not want to connect the hot water supply.

LUXE Bidet® MB320™ Assembly Instruction

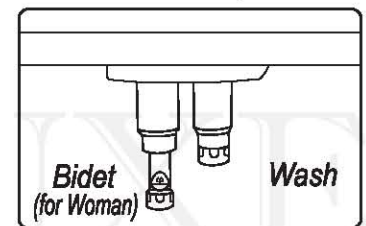
FINAL ASSEMBLED FIGURE



TRYING YOUR BIDET FOR THE FIRST TIME

Congratulations! You are ready to use the LuxeBidet for the first time. Be sure to turn water pressure control knob gently until reaching your desired pressure. Water pressure control device is only to control water pressure, not for setting up the duration of water spray.

Twin Nozzle System



The working pressure of this product is 0.2MPa+0.02MPa

For more information, visit www.LuxeBidet.com.

©2Go Products, LLC