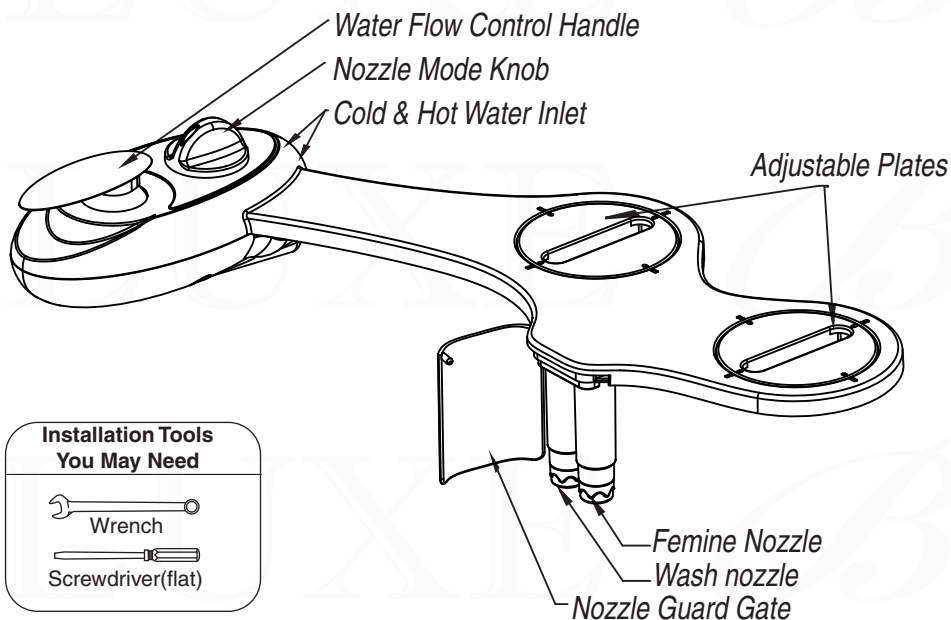


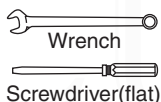
LUXE Bidet® Assembly Instruction

NAMES AND FUNCTIONS OF PARTS

*Please note: illustrations may vary depending on the model

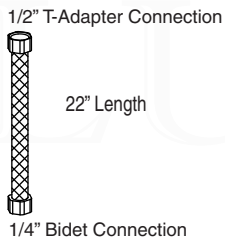


Installation Tools You May Need

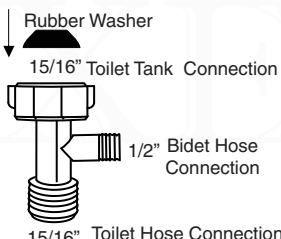


PARTS

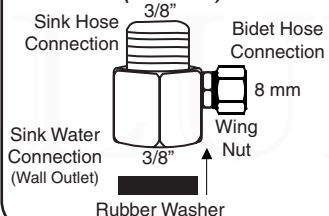
Flexible Metal Braided Hose (Cold Water)



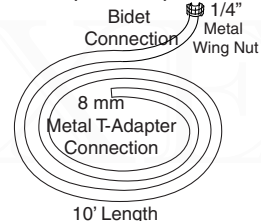
Plastic T-Adapter (Cold Water)



Metal T-Adapter (Hot Water)

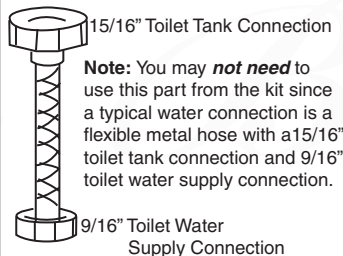


Polyurethane Hose (Hot Water)



OPTIONAL PARTS

Flexible Water Supply Hose



Hot Water Inlet Cap with Rubber Washer

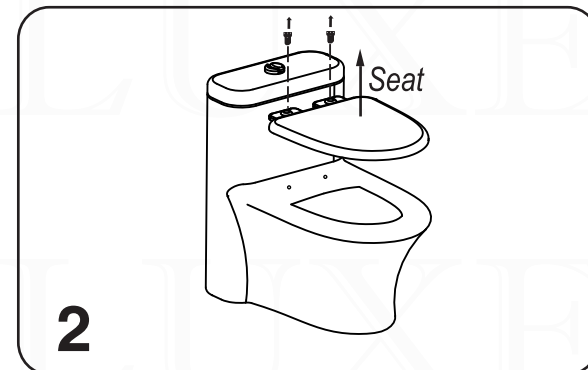


Note: You only need this part if you do *not* connect the hot water. See troubleshooting for more details.

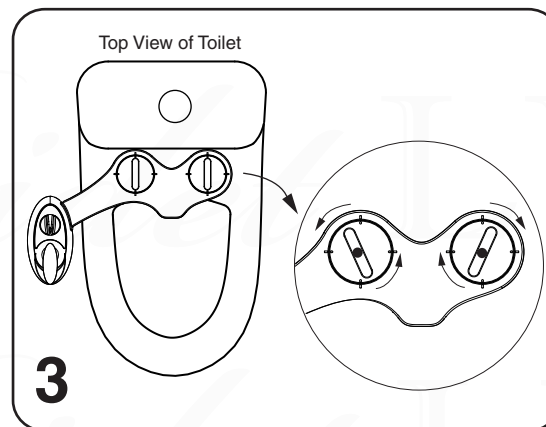
LUXE Bidet® NEO250™ & NEO320™



Shut off the toilet water supply.
Flush toilet to empty the tank.



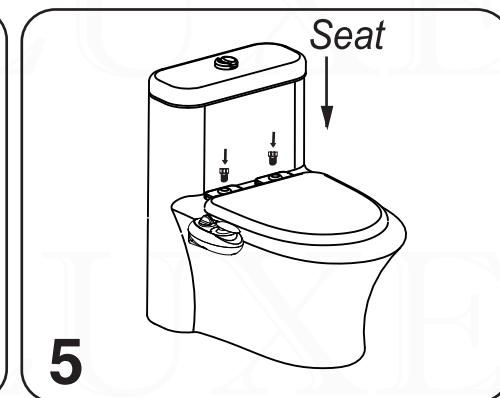
Remove the seat by unscrewing the seat.



Place the bidet on the toilet.
Plates may be adjusted depending on where the two holes in the back of the toilet are.



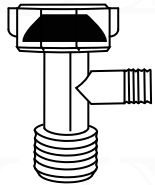
Bidet should now be aligned with the coupling holes.



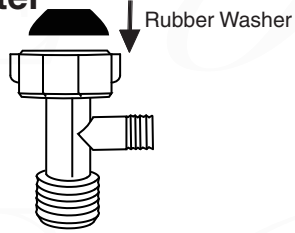
Screw the seat back on to the bidet and the toilet.

LUXE Bidet[®] Assembly Instruction

6 Preparing the Plastic T-Adapter



6a

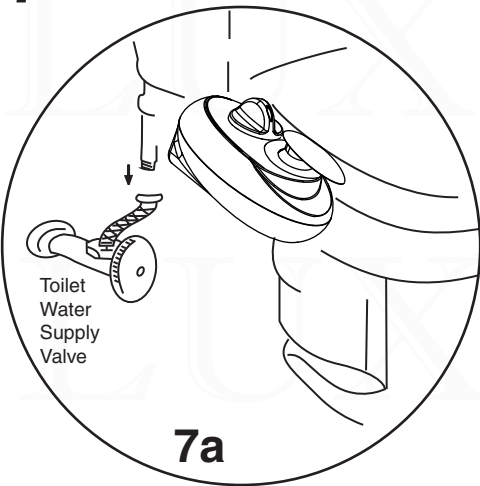


6b

6a: Make sure that there is a black rubber washer inserted at the top of the t-adapter.

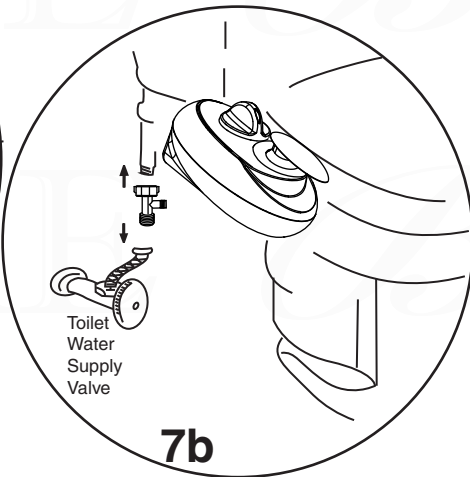
6b: If it is not already there, insert it as shown in figure 6b.

7 Connecting Cold Water Supply



7a

The top of the t-adapter connects with the water tank.



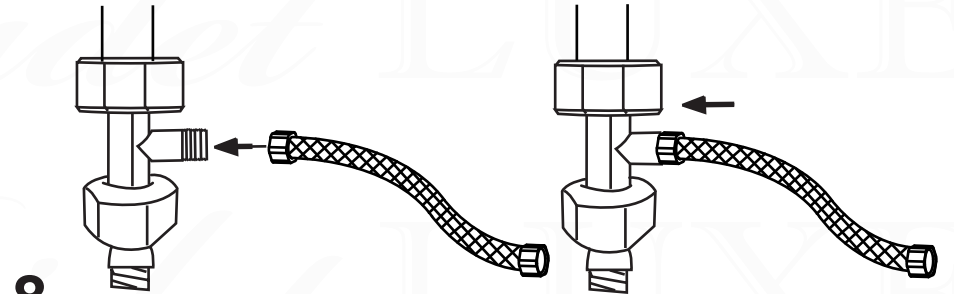
7b

7a: Make sure you have shut off the toilet water supply and flushed the toilet to empty the tank. Disconnect the water connection from the tank.

7b: Connect the plastic t-adapter to the water supply as shown in figure 7b.

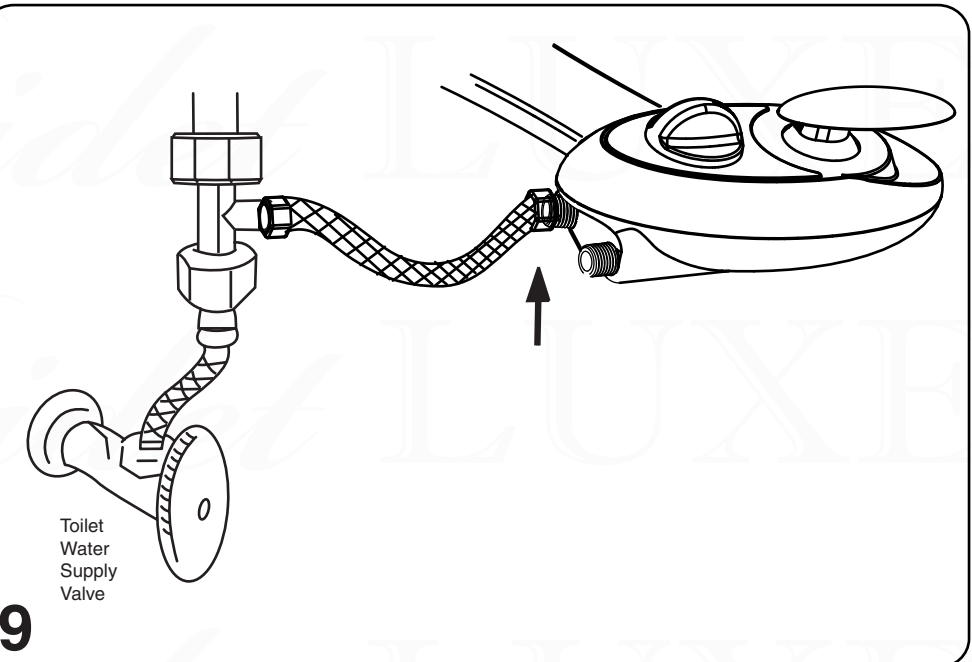
Tip: Do not use excessive force while tightening the connection. Hand tighten then use a wrench to gently tighten one quarter or half-turn more.

LUXE Bidet[®] NEO250™ & NEO320™



8

Connect the metal braided hose to the plastic t-adapter.

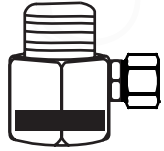


9

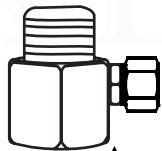
Connect the metal braided hose to the cold water bidet inlet

LUXE Bidet® Assembly Instruction

10 Preparing the Metal T-Adapter



10a

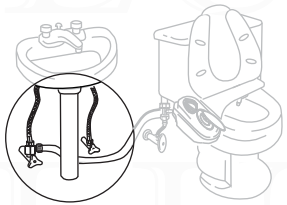


10b

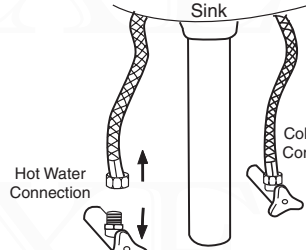
Rubber Washer

10a: Make sure that there is a black rubber washer inserted at the bottom of the t-adapter.
10b: If it is not already there, insert it as shown in figure 10b.

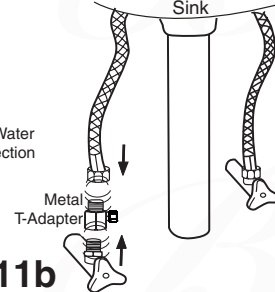
11 Connecting Hot Water Supply



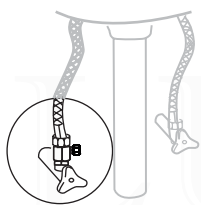
11a: Disconnect the sink hot water connection.



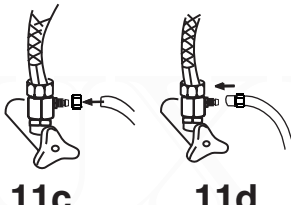
11a



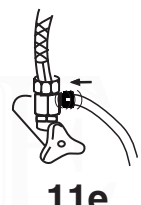
11b



11c

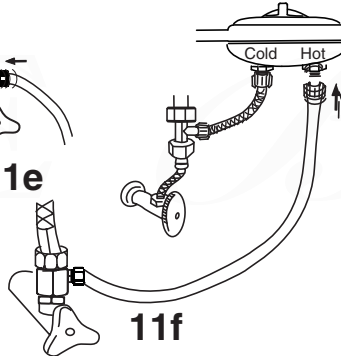


11d



11e

Back View of Bidet



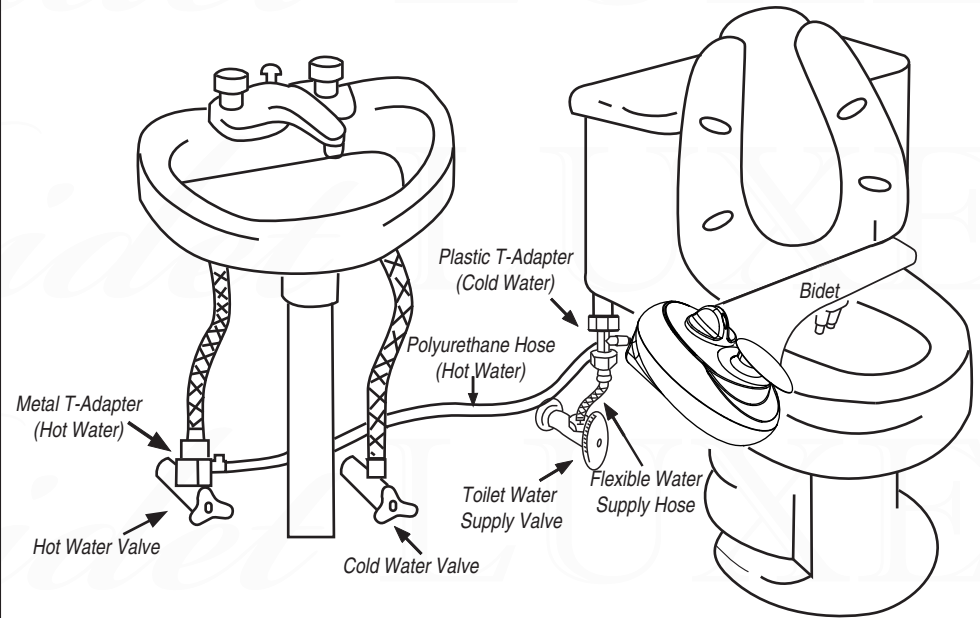
11f

OPTIONAL: Cut polyurethane hose on the end that does **not** have a wing nut according to bathroom dimensions.

11c: Unscrew the wing nut from the metal t-adapter.
11d: Thread the polyurethane hose through the wing nut and push the end onto the adapter.
11e: Tighten the wing nut onto the t-adapter threads to secure the connection.
11f: Attach the metal end of the hose to the hot water bidet inlet.

LUXE Bidet® NEO250™ & NEO320™

ASSEMBLED UNIT



TRYING YOUR BIDET FOR THE FIRST TIME

Congratulations! You are ready to use the LuxeBidet for the first time. Gently turn the water pressure control knob to reach your desired spray pressure. The control only regulates water pressure, not the duration of the spray.

The working pressure of this product is 50±20 psi

For more information, visit www.LuxeBidet.com.

©2Go Products, LLC

LUXE Bidet® Assembly Instruction

TROUBLESHOOTING

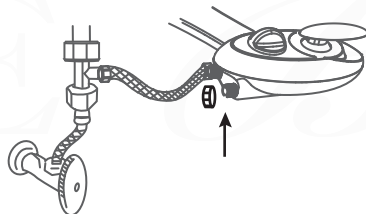
For additional troubleshooting tips, please see our FAQs page at www.LuxeBidet.com.

Connecting the hot water supply hose.

If you have trouble pushing the polyurethane hose onto the t-adapter, hold the hose end under hot running water to expand it slightly and try again. If you need a hose longer than 10 feet, you may purchase a 16 foot 8 mm polyurethane hose at www.LuxeBidet.com/accessories.

Using the bidet with only cold water.

To use the bidet with only the cold water connected, screw the bidet inlet cap included with the accessories onto the hot water bidet inlet. This will prevent any backflow while the bidet is operated.



After installing the bidet, the toilet seat sits at an angle and no longer rests on the toilet bowl.

Apply adhesive rubber bumpers to the bottom of the seat to eliminate the gap. Bumpers are available for purchase when you go to www.LuxeBidet.com/accessories.

When the bidet is on, no water comes out of the spray nozzle.

Solution 1: Gently pump the nozzle up and down by hand. It may simply be stuck.

Solution 2: Check that the t-adapter has been drilled all the way through so water can flow through it. If the t-adapter is blocked, please contact us for a replacement.

Water is leaking from a connection.

Solution 1: Try reconnecting the t-adapter to ensure that all threads are catching properly and that the connection is properly tightened.

Solution 2: If you have difficulty properly tightening the t-adapter, try wrapping a thin layer of plumbing tape over the toilet tank or sink valve threads before connecting the t-adapter. The plumbing tape will allow for added grip.

Solution 3: If you continue to experience a drip from the t-adapter or any other connection, please contact us.

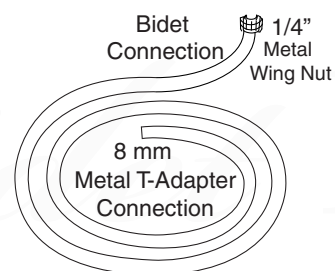
For other questions or concerns, please contact us at
www.LuxeBidet.com

LUXE Bidet® NEO250™ & NEO320™

OPTIONAL ACCESSORIES

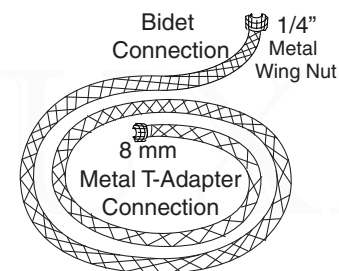
Available for Purchase at www.LuxeBidet.com/accessories

16' Polyurethane Hose (Hot Water)



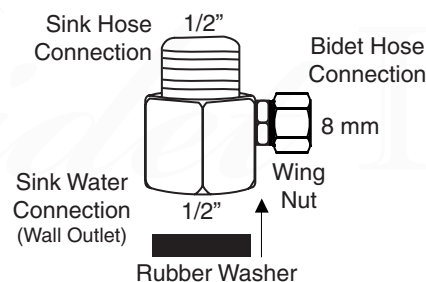
This polyurethane hose is a longer version of the hose included with the bidet.

9' Metal Braided Hose (Hot Water)



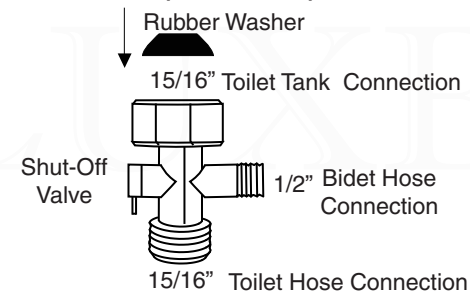
The polyurethane hose included with the bidet for hot water connection can be replaced with this 9' metal braided hose. Please note that the length cannot be adjusted.

Metal T-Adapter (Hot Water)



Some households have a 1/2" hot water connection rather than the provided 3/8".

Metal T-Adapter with Shut-Off Valve (Cold Water)



This metal t-adapter has a shut-off valve to limit or cut off cold water to the bidet. It can be used instead of the plastic t-adapter for the cold water connection.

For more information, visit www.LuxeBidet.com.

©2Go Products, LLC